

C7 Inflation/ Deflation Valve

Registered Design

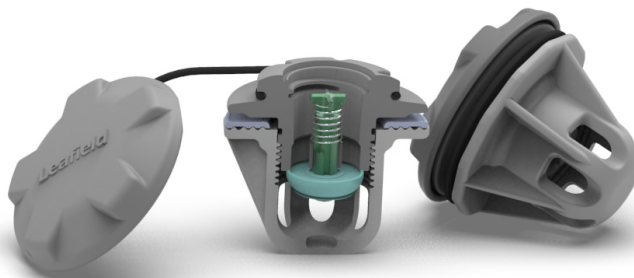
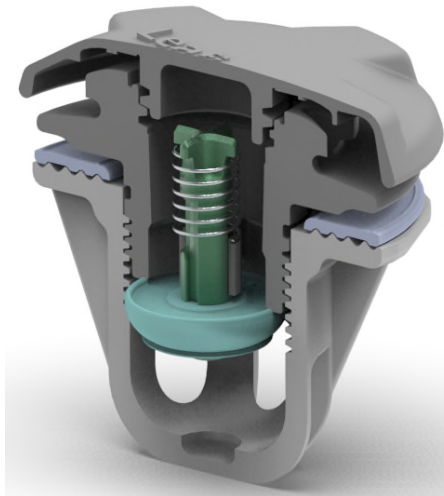
The C7 inflation and deflation valve is designed for use in demanding applications such as Military and Commercial RIBs, River Rafts and Inflatable Boats. Its stylish appearance has also won it many fans in the luxury RIB and tender market.



C7 Key attributes and benefits:

- Smooth, low profile
- Rugged and reliable
- 100% leak tested during production
- High quality materials to ensure long life
- Smooth profile to protect fabric when deflated

- Core can be removed from the outside of the tube for cleaning
- Available in grey or black
- Cap works as a second seal
- Caps are available in grey, black, white or yellow
- Company Brand can be added to the cap
- Smooth, snag free cap



Contact Details:

Leaffield Marine Ltd.,
9 Atworth Business Park,
Atworth, Wiltshire, UK, SN12 8SB

Tel: +44 (0)1225 899550
Email: sales@leaffieldmarine.co.uk
Website: www.leaffieldmarine.co.uk

ISO 9001 Company

Leaffield
Marine

M-08-CI-C7-01 Rev 02