

1.0 STORAGE

1.1 – STORE IN SEALED BAGS.

2.0 INSTALLATION

2.1 – IF A DOUBLER IS REQUIRED ON FABRIC WHICH IS SEALED ON BOTH SURFACES IT MUST BE FITTED TO THE OUTSIDE SURFACE OF THE BUOYANCY CHAMBER TO PREVENT LATERAL LEAKAGE. FOR ALL OTHER FABRIC TYPES CONTACT LEAFIELD MARINE.

2.2 – MAXIMUM TIGHTENING TORQUE WHEN FITTED TO 0.3–1.0mm THICK FABRIC IS 27Nm (20lbf.ft). THIS TORQUE HAS TO BE DE-RATED TO 20Nm (15lbf.ft) FOR FABRIC AT THE MAXIMUM RECOMMENDED THICKNESS OF 3.0mm. VALVE ASSEMBLY SHOULD BE RE-TORQUED AFTER AT LEAST 12 HOURS.

2.3 – SPECIAL ADAPTORS ARE AVAILABLE TO ENABLE STANDARD 1/2" DRIVE EQUIPMENT TO BE USED TO TIGHTEN THE VALVE ASSEMBLY. PART No. TM872 MATES WITH THE BODY. PART No. C14898 MATES WITH THE HOUSING.

2.4 – NO LUBRICANTS TO BE USED DURING ASSEMBLY OF THIS VALVE.

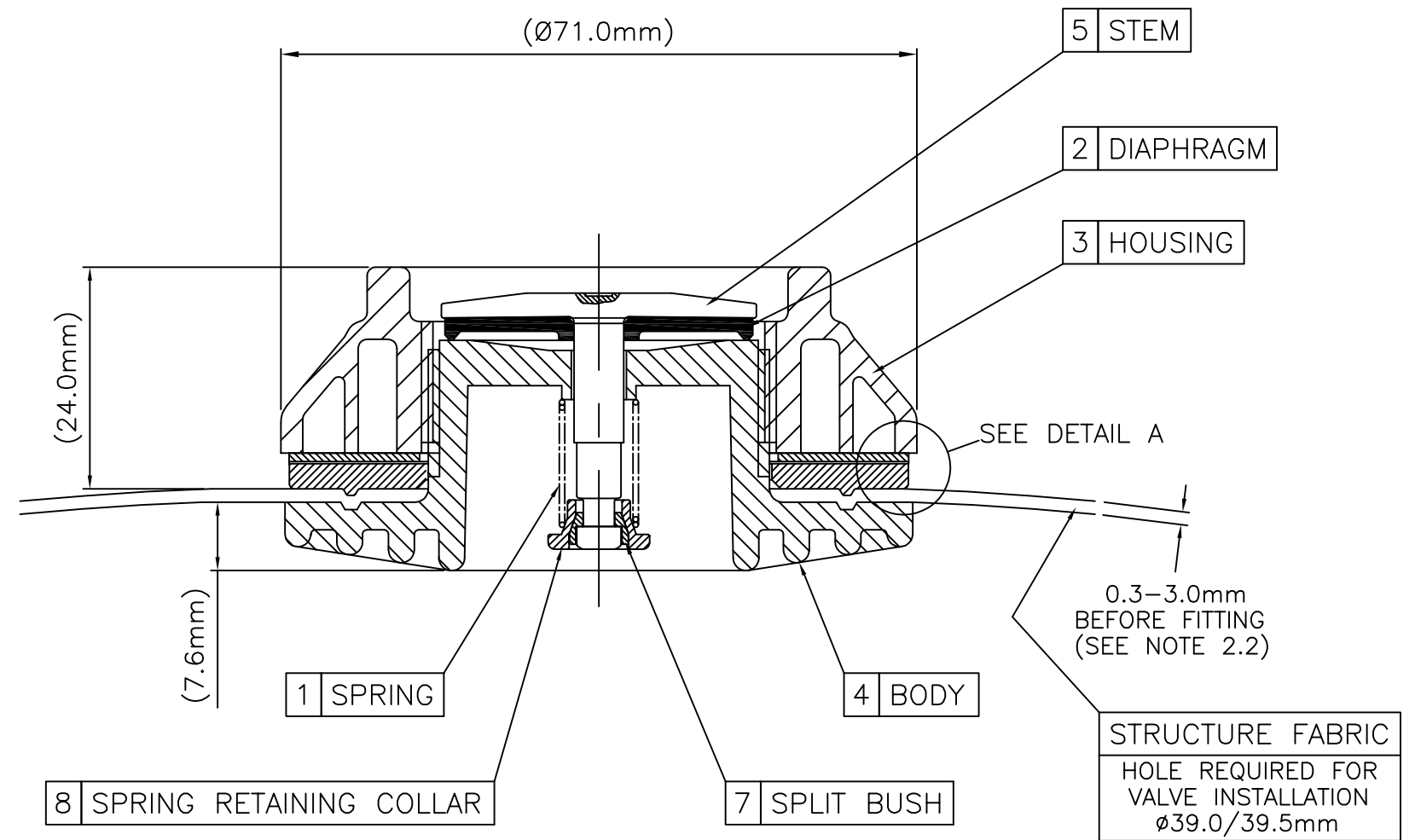
2.5 – VARIOUS OPENING AND RESEAT PRESSURES ARE AVAILABLE. PLEASE SEE SELECTION CHART.

2.6 – IT IS THE USER'S RESPONSIBILITY TO ENSURE THAT ANY FLUIDS USED DURING INSTALLATION OR OPERATION ARE COMPATIBLE WITH THIS VALVE.

3.0 SERVICING

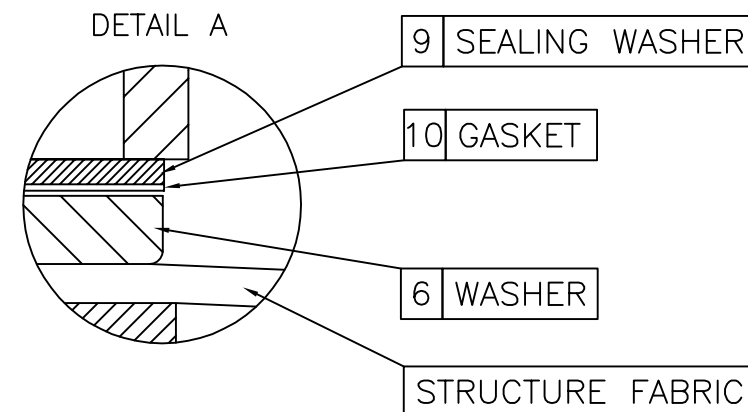
3.1 – THERE ARE NO USER SERVICEABLE PARTS IN THE ASSEMBLY.

3.2 – IF IT IS NECESSARY TO CLEAN THE VALVE ONLY USE HOUSEHOLD DETERGENT AND WARM WATER. DO NOT USE SOLVENT CLEANERS.



FOR FURTHER INFORMATION PLEASE CONTACT
LEAFIELD MARINE LIMITED

ITEM No.	DESCRIPTION	MATERIAL USED
1	SPRING	STAINLESS STEEL
2	DIAPHRAGM (3 OPTIONS)	SILICONE
		LOW TEMP. PCR
		VITON
3	HOUSING	ACETAL CO-POLYMER
4	BODY	ACETAL CO-POLYMER
5	STEM	ACETAL CO-POLYMER
6	WASHER	ACETAL CO-POLYMER
7	SPLIT BUSH	ACETAL CO-POLYMER
8	SPRING RETAINING COLLAR	ACETAL CO-POLYMER
9	SEALING WASHER	NEOPRENE
10	GASKET	POLYETHYLENE



© Leaffield Marine Limited 2014
THIS DRAWING IS PROTECTED BY COPYRIGHT AND THE INFORMATION CONTAINED THEREIN IS THE PROPERTY OF LEAFIELD MARINE LTD. THE DRAWING MAY NOT BE COPIED AND THE INFORMATION CONTAINED THEREIN MAY NOT BE USED OR DISCLOSED EXCEPT WITH THE WRITTEN PERMISSION OF AND IN THE MANNER PERMITTED BY LEAFIELD MARINE LTD.

Leaffield Marine
UNIT 2, ATWORTH BUSINESS PARK
BATH ROAD
ATWORTH
WILTSHIRE
SN12 8SB
TEL: 01225 899550

TITLE
INSTRUCTION SHEET FOR
PRESSURE RELIEF VALVE
A10B LOW PROFILE

DRAWING No. 1208002	REV. No. 02
------------------------	----------------